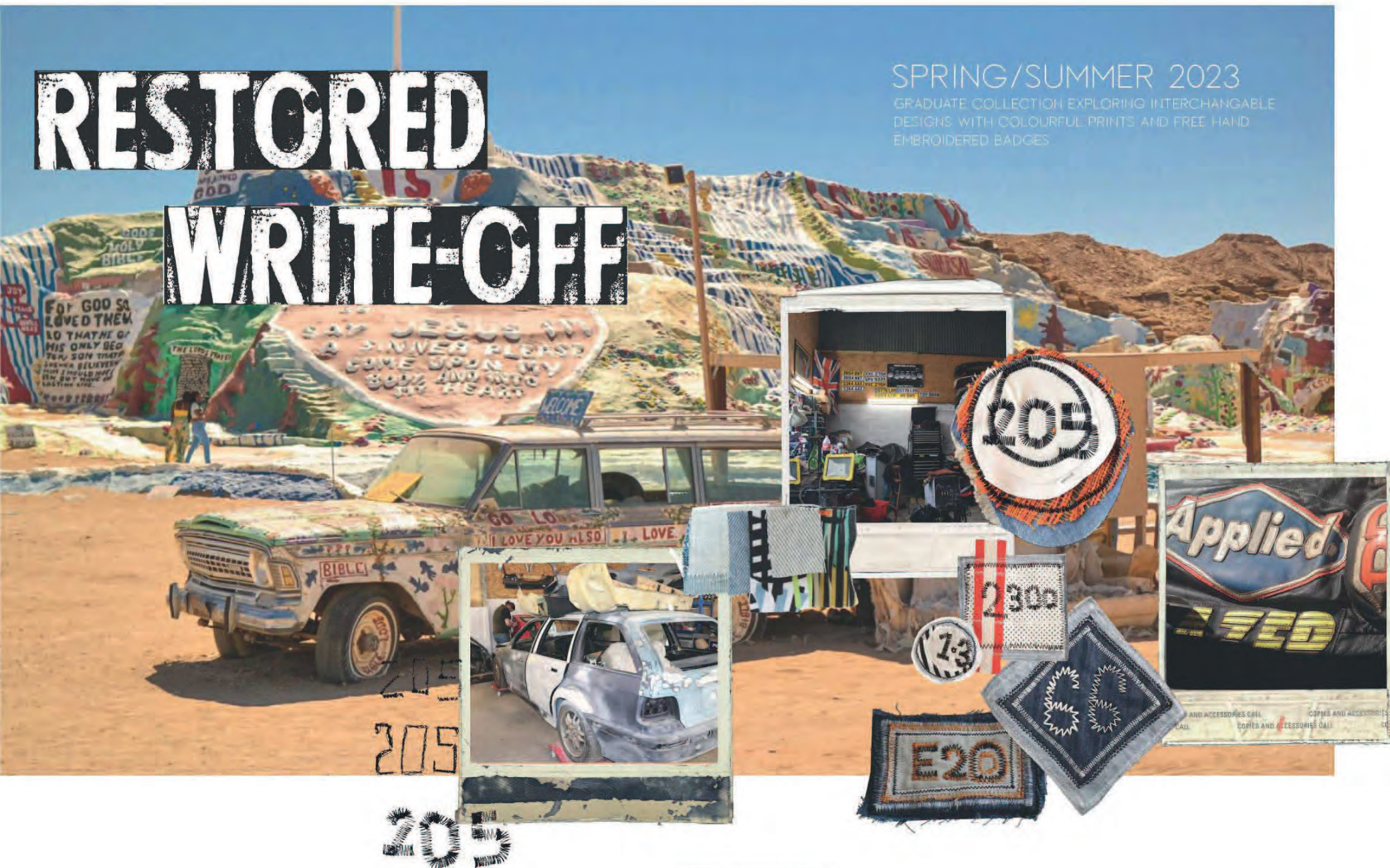


# RESTORED

# WRITE-OFF

SPRING/SUMMER 2023

GRADUATE COLLECTION EXPLORING INTERCHANGABLE  
DESIGNS WITH COLOURFUL PRINTS AND FREE HAND  
EMBROIDERED BADGES







INTERCHANGABLE DESIGN



The green Honda comes  
off a 50.  
The blue Honda comes  
off a 30.  
The large Honda comes  
off a 14.  
The engine department  
off a 20.  
And VW parts  
are interchangeable  
from one year to the next.  
That's why parts  
are so easy to get.







# AUDIENCE

- CASUAL EVERYDAY WEAR
- WORN IN AND RELAX AESTHETIC
- ENVIRONMENTALLY CONSCIOUS
- HIGH END PIECES AS AN INVESTMENT TO BE WORN FOR LONGER AND UPDATED OR MENDED
- ADVENTUROUS
- SOCIAL
- URBAN/ CITY LIFE



# QUIZ NIGHT



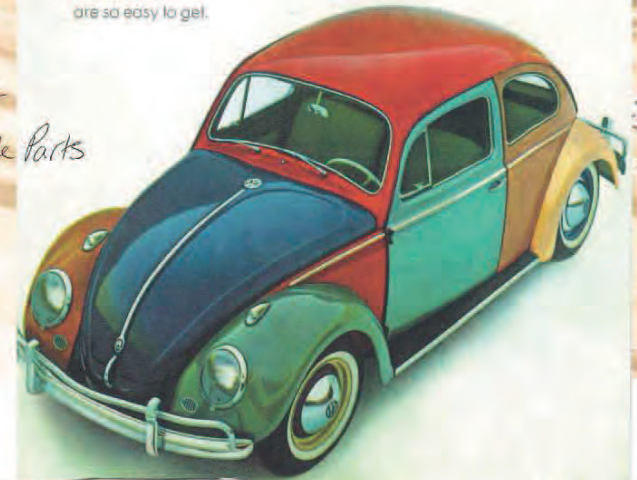
STELLA McCARTNEY

MONSE

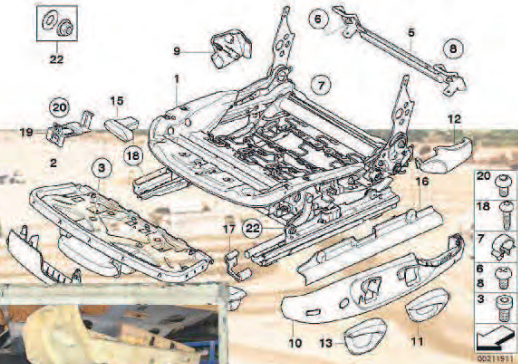




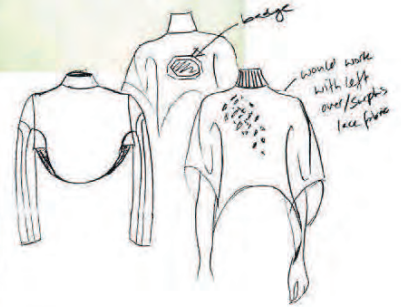
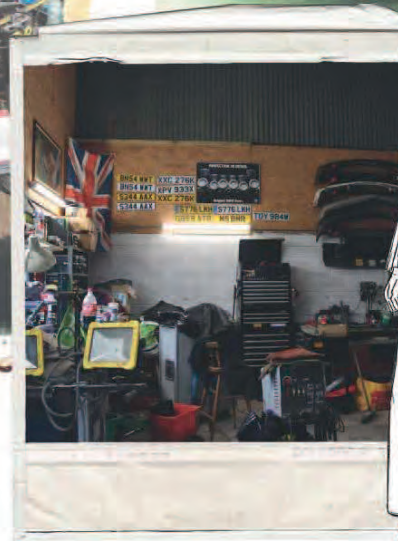
The green fender came off a '58  
 The blue hood came off a '59  
 The beige fender came off a '64  
 The turquoise door came off a '62  
 Most VW parts are interchangeable from one year to the next.  
 That's why parts are so easy to get.



*Interchangeable & Renewable Parts*



*Vintage Car & Motorcross Research*



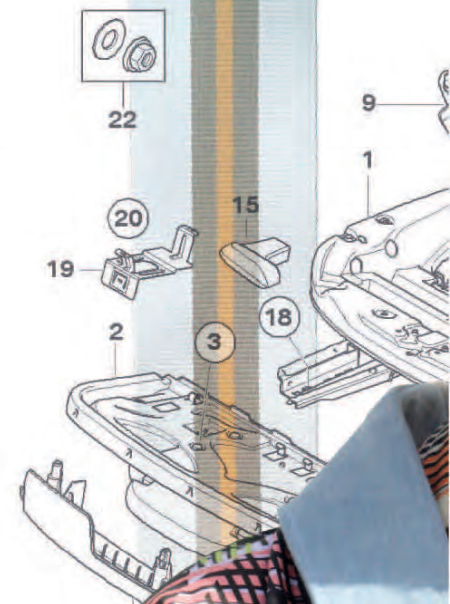
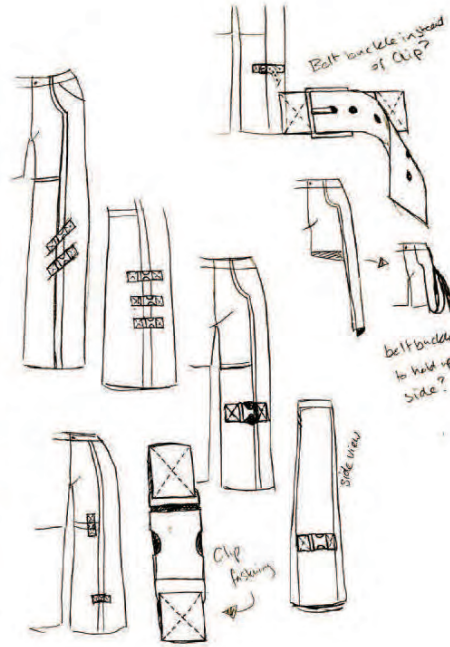


# FABRIC AND COLOUR DEVELOPMENT





**DEVELOPING  
INTERCHANGABLE  
METHODS**



*Fastening idea*  
Gold (metal) chain can be pulled out  
and a new item (sleeve / leg etc) can be reattached



*Final Fastening Developments*



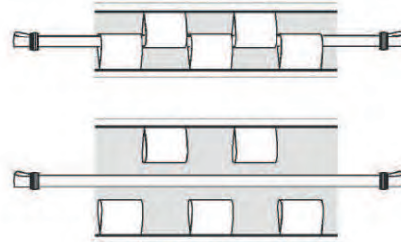
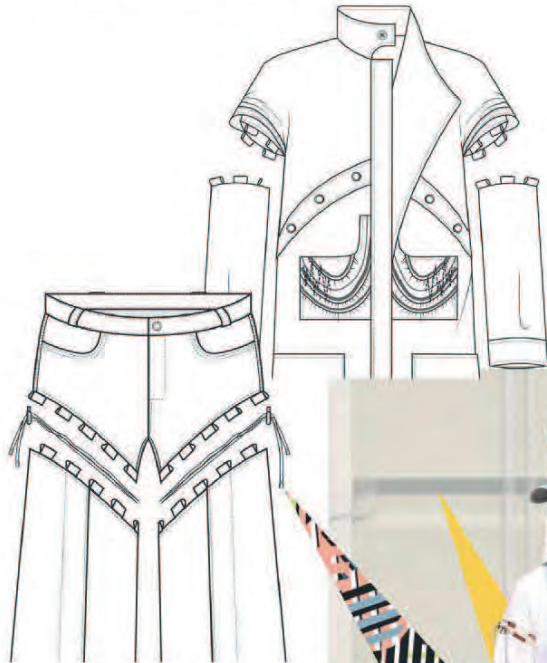


# INTERCHANGABLE DESIGNS

## ASSEMBLY MANUAL & USER'S GUIDE

### SECTION 1: GETTING STARTED

TAB AND CORD DESIGN WHICH MAKES SLEEVES AND LEGS INTERCHANGABLE



ONE GARMENT - MULTIPLE DIFFERENT SLEEVE CHOICES ENABLING THE STYLE TO BE UPDATED OVER TIME, KEEPING THE GARMENT IN USE AND RELEVANT FOR LONGER. THIS INTERCHANABLITY IS APPLIED TO THE TROUSER LEGS AS WELL.



◊ ELEANOR WOODHOUSE ◊

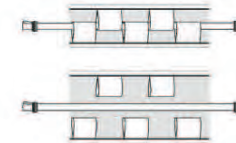
### SECTION 2: ASSEMBLY

STEP 1



MAKE SURE YOU HAVE  
2X LEGS OR SLEEVES  
2X CORD LENGTHS  
2X CORD STOPS  
1X SHORTS OR TOP WITH THE REQUIRED TABS

STEP 2



ATTACHING THE LEGS OR SLEEVES  
PUT THE LEG TABS IN BETWEEN THE SHORT TABS AND THREAD THE CORD THROUGH THE ALTERNATING TABS. WHEN BOTH ENDS OF THE CORD MEET SECURE THEM WITH THE CORD STOP. THIS SAME METHOD ALSO APPLIES TO THE TOP AND SLEEVES.

STEP 3



WHEN ATTACHED  
WEAR THE GARMENT AS DESIRED. IF YOU WANT TO CHANGE THE STYLE INSTEAD OF BUYING NEW CLOTHES SIMPLY SWAP OVER THE INTERCHANGABLE LEGS OR SLEEVES. IF AN ITEM BECOMES DAMAGED REPLACE OR MEND THE DAMAGED INTERCHANGABLE PART AND CONTINUE TO USE THE REST OF THE FUNCTIONING GARMENT.



◊ ELEANOR WOODHOUSE ◊





# GEAR

205

205



## Applied



205

## Motor Cross Suits



RACE TRACK CIRCUIT SHAPES  
CREATED USING VARIED DIRECTIONAL LINES



*Race track shape*



*Experimenting with the Coloured print placements & scale + Logo placements*



FINAL PRINTS





FINAL DESIGN DEVELOPMENT

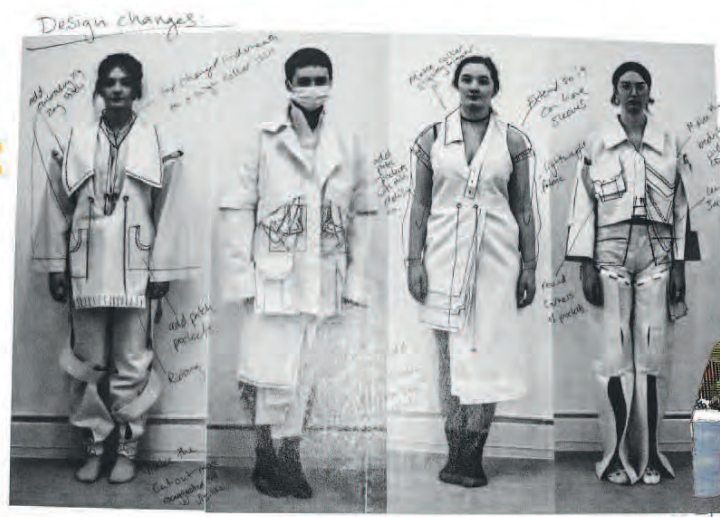






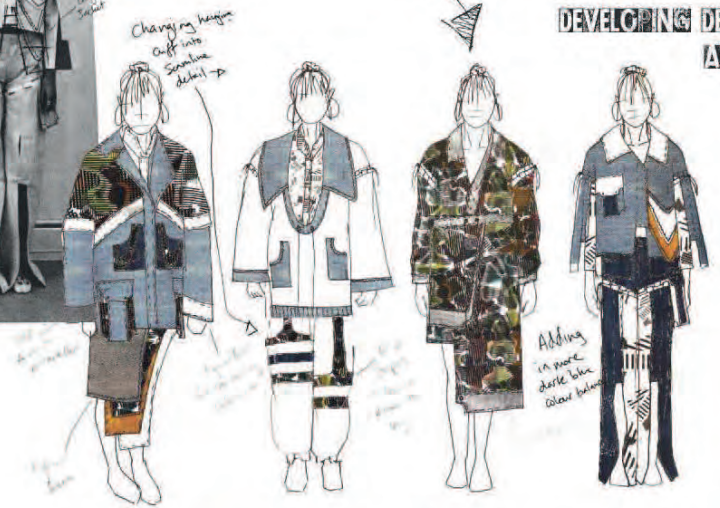
Remove jacket from outfit

Remove Collar from Jumper



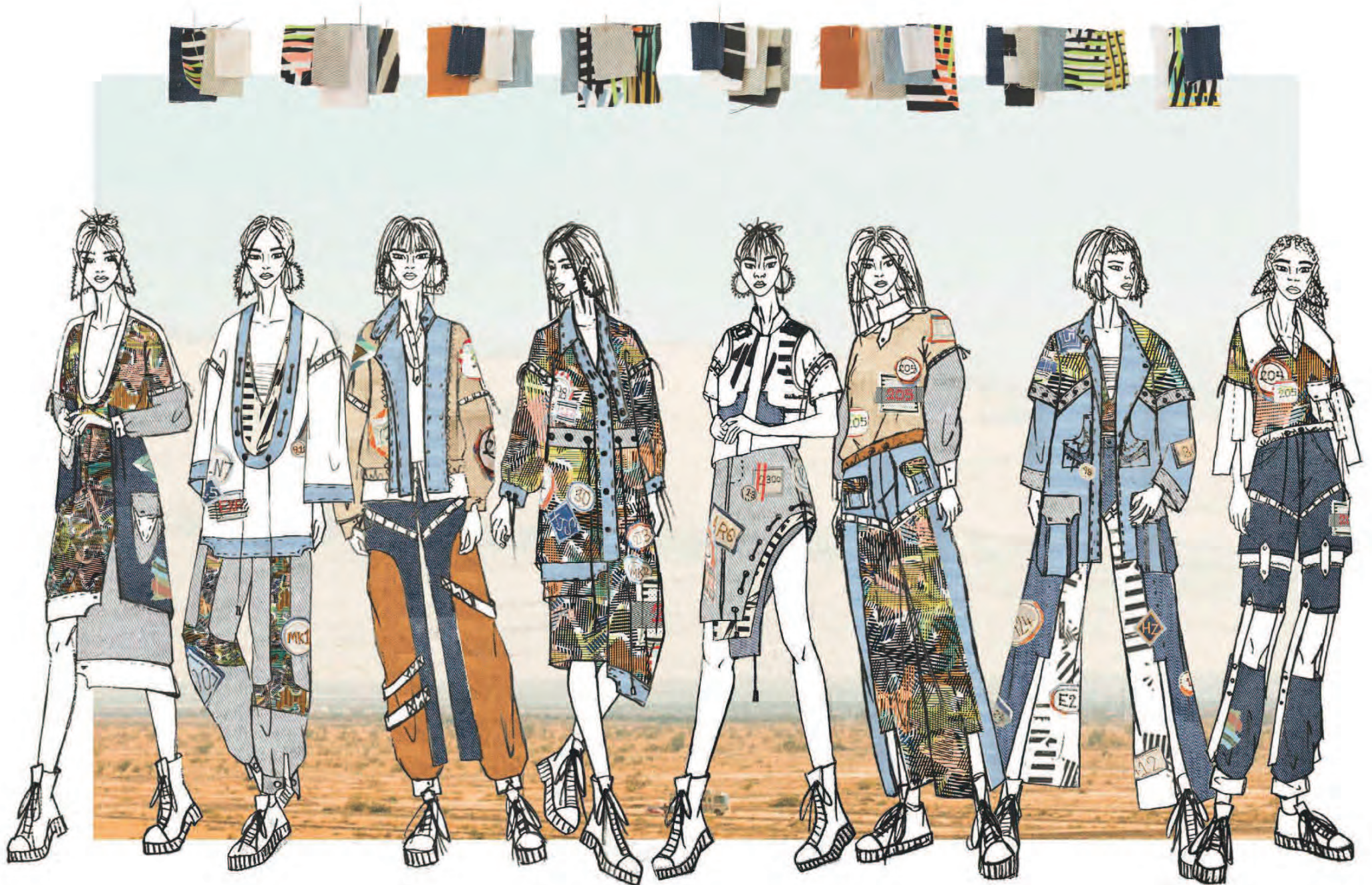
Change Dress to a Coat with Slip Dress

**DEVELOPING DESIGNS AFTER TOLING**



**RESOLVED FINAL CUTTINGS**







# RESTORED WRITE-OFF

SPRING/SUMMER 2023





